

M3 CONDENSING BOILER

Duplex Stainless Steel Pressure Vessel and Fire Tubes

MODEL ▼	INPUT BTU (1000s)	OUTPUT BTU (1000s)	Thermal Efficiency	PRESSURE DROP (FT. HD.)		Minimum Boiler Flow* (gpm)	Maximum Boiler Flow (gpm)	OPERATING Weight (lbs)
				20°ΔT (67 GPM)	40°ΔT (34 GPM)			
700 WB 130A-CBML	700	665	95%	< 1.0	< 0.5	22	105	1800

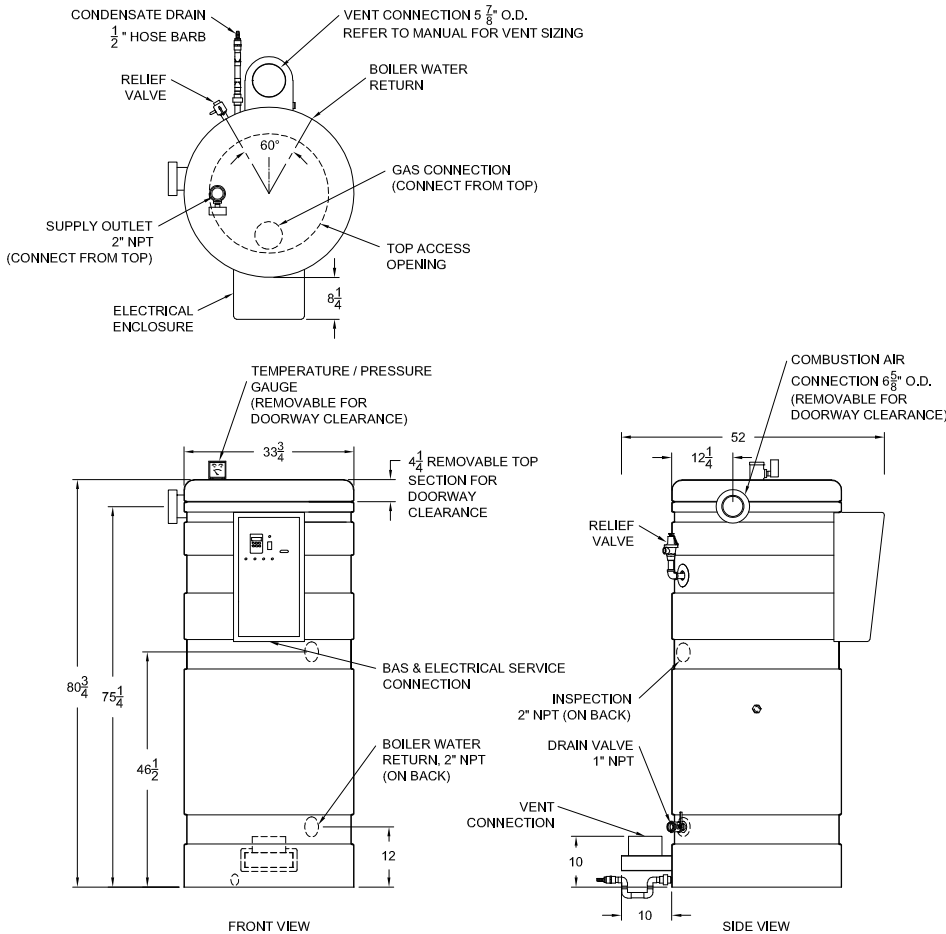
Output Btu/h and thermal efficiency are derived from testing per the requirements of DOE 10 CFR 431 (Federal Energy Policy Act (EPACT)).

Dimensions are in inches unless otherwise indicated.

For standard and optional equipment, refer to form 34-1100.

Empty weight is 680 pounds and shipping weight is 880 pounds.

* For alternate minimum boiler flow rates, consult factory.



Standard Electrical Service

120VAC, 1Ø, 60 Hz., < 8.0 amps

Venting

PVC venting can be used for heat pump or other low temperature applications with boiler loop return water temperatures that do not exceed 100°F.

Optional configuration for CPVC or ETL, UL, ULC or CSA listed Category IV Polypropylene venting can be used when boiler return water temperatures do not exceed 140°F.

Optional configuration for Stainless Steel, ETL, UL, ULC or CSA listed Category IV venting for use with boiler return water temperatures greater than 140°F.

Minimum vent length is 5 eq. feet. Vent length 150 eq. ft. through 6" dia. Longer vents lengths are ETL listed using larger diameter. Refer to installation manual.

Do not size vent based only upon connection diameter at the appliance. Refer to installation manual for sizing requirements.

Inlet Combustion Air

Up to 150 eq. ft. using 6" PVC or galvanized vent pipe. Longer lengths, ETL listed using larger diameters, refer to installation manual.

Gas Pressure - Natural

Gas connection is 1 inch. Minimum inlet flow pressure 3.5" W.C.

Maximum static pressure 14" W.C.

Refer to installation manual for gas pipe sizing requirements.

For LP gas, refer to installation manual.

Minimum Clearance from Combustibles

Zero clearance from sides and rear, 24" from front, 15" from top. Can be installed directly on a combustible floor.

Recommended Service Clearances

18" from all sides. See Inst. Manual

Emissions

< 20 ppm NOx.

RIVERSIDE HYDRONICS, LLC RESERVES THE RIGHT TO CHANGE THE DESIGN AND SPECIFICATION WITHOUT NOTICE.



RIVERSIDE HYDRONICS, LLC · FORT WORTH, TEXAS · (800) 990-5918

www.riversidehydronics.com



34-1105 06-2016