

VT3®
VERTICAL FIRETUBE, NON-CONDENSING WATER BOILER

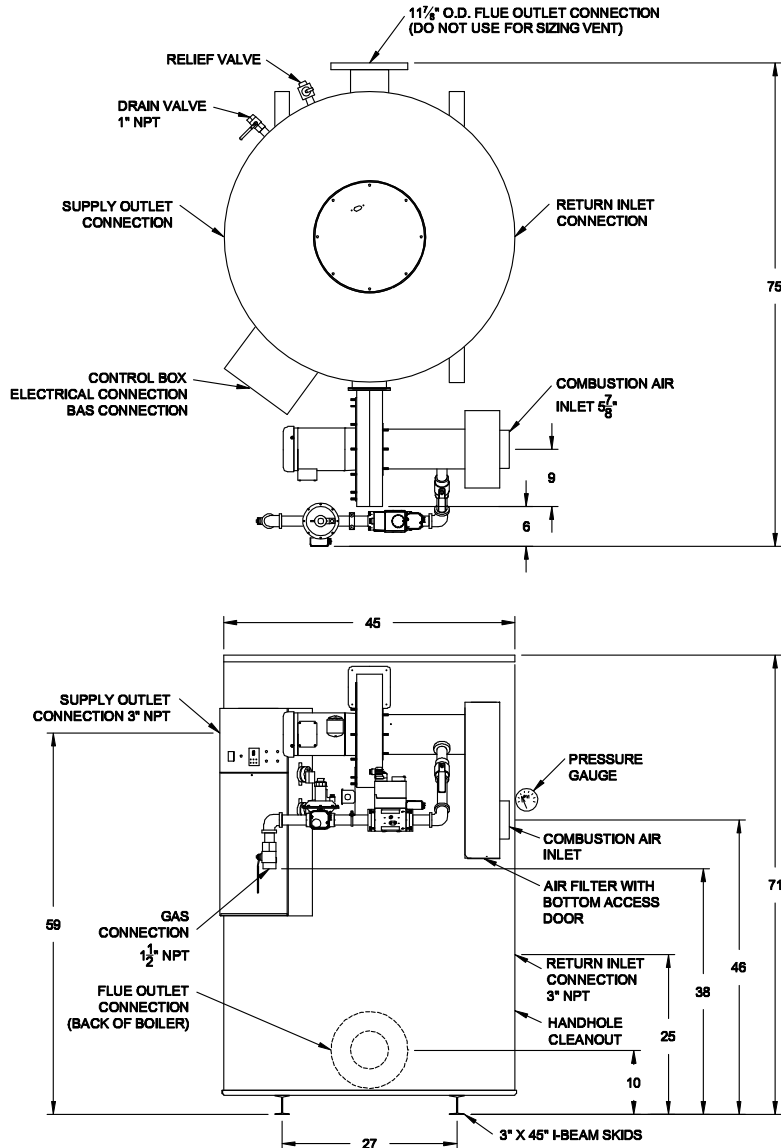
Full modulation
 < 20 ppm NOx

Model: 1500 WBL 250A-IF

Max. Input Btu/h	1,500,000
* Max. Output Btu/h	1,260,000
** Minimum Inlet Flow Gas Pressure	4.5" W.C.
Maximum Static Gas Pressure	14" W.C.

Shipping Wt - Lbs	2220
Operating Wt - Lbs	3720

* Output per DOE, 10 CFR 431.
 Dimensions are in inches unless otherwise specified.
 For standard and optional equipment, see form 34-811.



Electrical

120V, 1Ø, 60 Hz., 15 amp circuit

Venting

Negative pressure Category I Type B vent should not be sized only upon vent connection diameter at the appliance. For proper vent sizing and design, refer to the National Fuel Gas Code. Use "FAN" rating.

OR

Positive pressure Category III or IV Stainless Steel venting listed by UL, ULC, ETL or CSA, refer to the Installation Manual.

Inlet Combustion Air

Up to 100 eq. ft. using 6" PVC or galvanized vent pipe.
 Longer lengths, ETL listed with larger diameters, see I&M.

**** Alternate Gas Pressure**

For < 4.5"W.C., consult factory.

Minimum Service Clearances

18" from sides, 24" from front and top

Emissions

< 20 ppm NOx

RIVERSIDE HYDRONICS, LLC RESERVES THE RIGHT TO CHANGE THE DESIGN AND SPECIFICATION WITHOUT NOTICE.



RIVERSIDE HYDRONICS, LLC · FORT WORTH, TEXAS · (800) 990-5918
www.riversidehydronics.com

